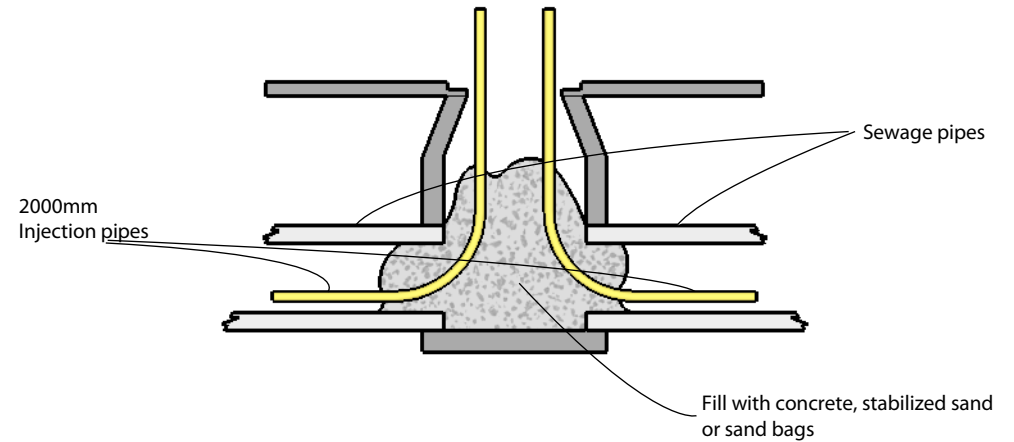
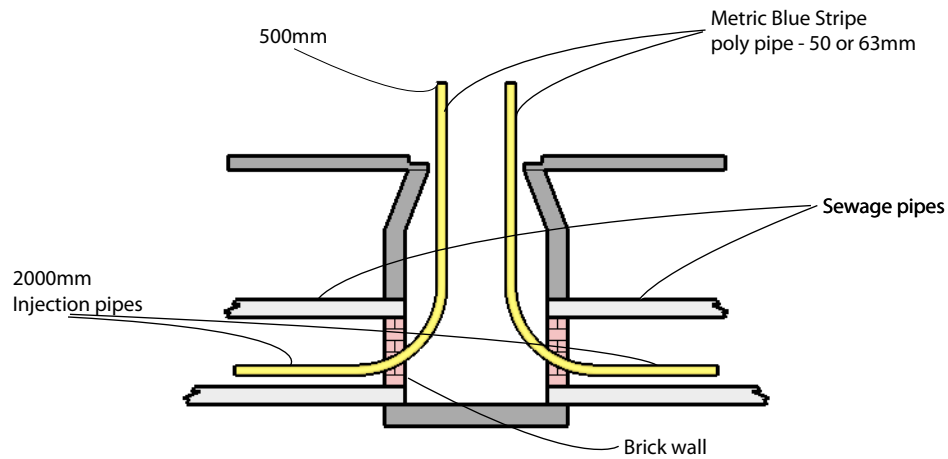


Construction of connections to pipelines and other conduits when injecting with Benifil



Vent pipe ventilation points

