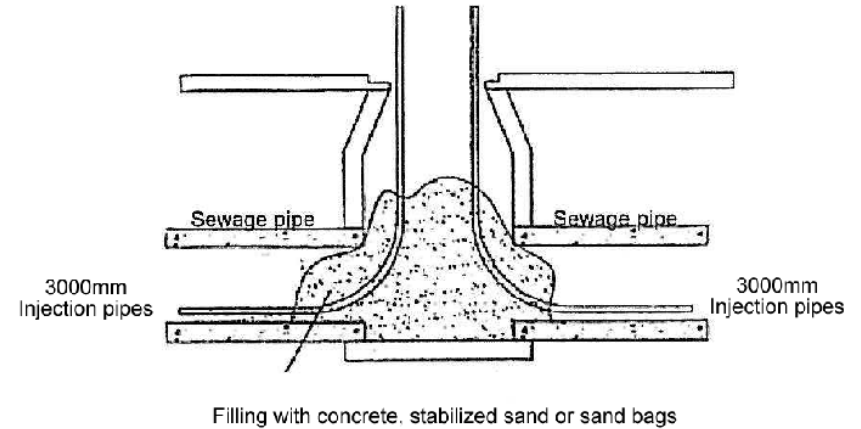
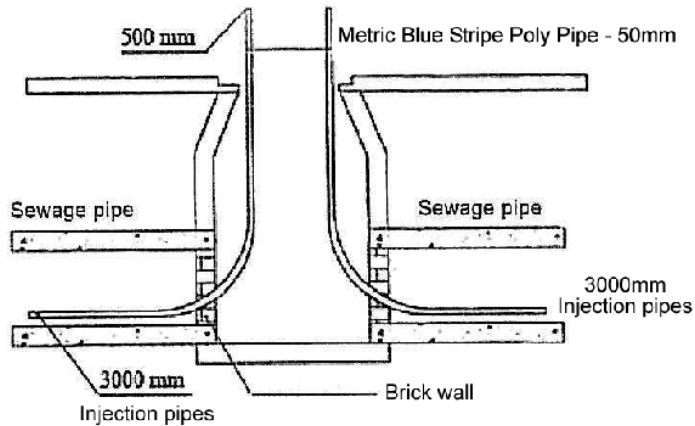
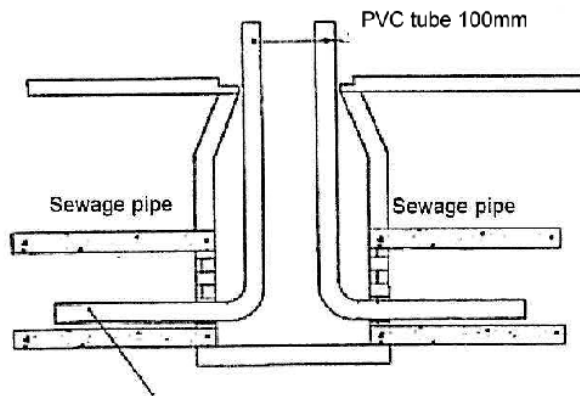


# Construction of connections to pipelines and other conduits when injecting with Benifil



## Vent pipe / Ventilation Points



PVC-tube at the Bottom - 1000mm

